



Inset shows fully skirted on left and semi-skirted on right.

B-Frame[®] BIOCOMPOSITE PCR Plates

We are proud and pleased to introduce the world's first PCR plate designed to help reduce plastic waste by using earth-friendly biocomposite materials.

- Superior performance from our 2-component B-Frame[®] PCR plates
- The rigid biocomposite frames are produced from sustainably-sourced plant biomass, resulting in a reduction of petroleum-derived plastic used to manufacture the frame by 46 - 50% depending on the frame style
- Thin-walled tubes made from 100% virgin medical grade polypropylene
- Manufactured to the highest quality standards for all your PCR and qPCR applications
- Our fully skirted low profile plate fits a wide range of instruments and is fully automation compatible
- Roche style semi-skirted low-profile plate delivers improved performance for the LightCycler
- Universal style PCR plates feature a rigid semi-skirt design and standard height wells for compatibility with a wide range of instruments
- ABI style semi-skirted plates are designed for compatibility with most ABI thermal cyclers, from legacy designs to the most recent instruments

With a keen focus on sustainability, we are determined to achieve a reduction of our carbon footprint and greenhouse gas emissions by utilizing a plant-based biocomposite matrix whenever possible in place of petroleum-derived plastics.

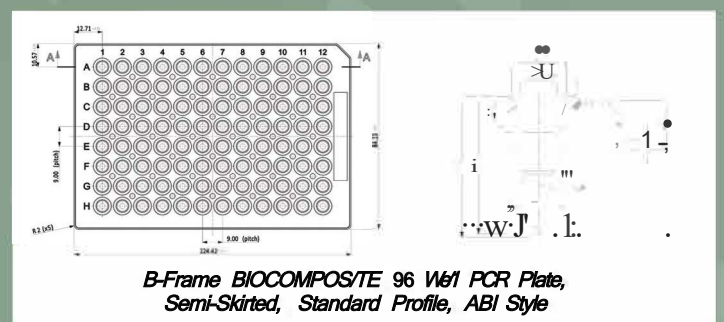
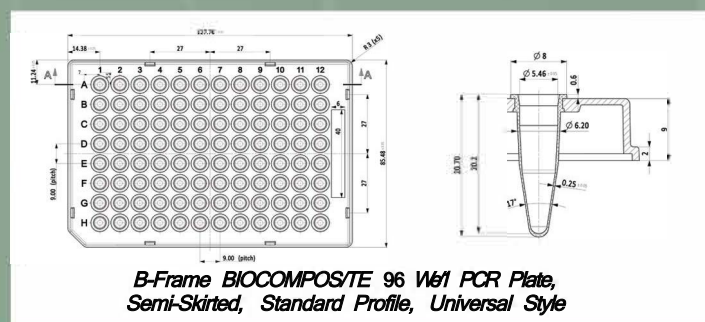
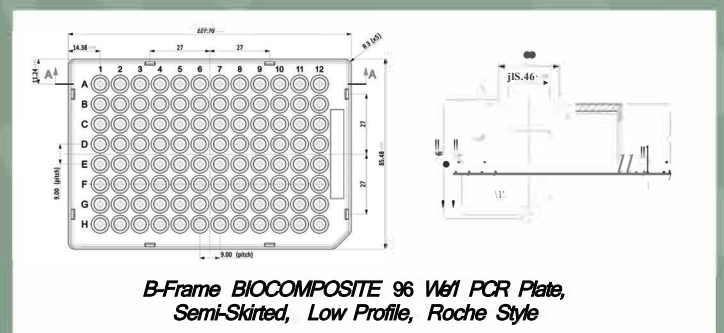
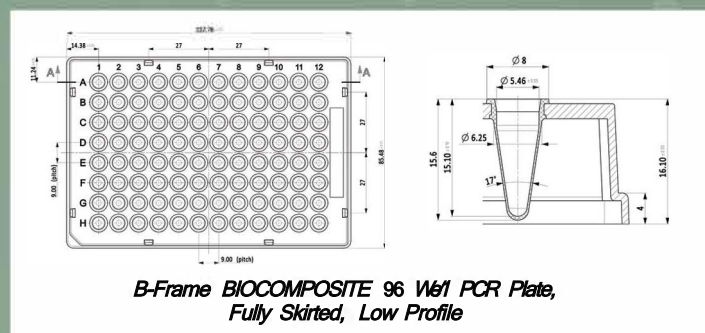
Ordering Details:

Part No.	Description
BF-1001	8-Frame BIOCOSPOSITE 96 Well PCR Plate , Fully Skirted, Low Profile 0.2ml Wells, Biocomposite Rigid Frame, Clear FP Tubes, 10 plates per sleeve, 50 plates per box
BF-1002	8-Frame BIOCOSPOSITE 96 Well PCR Plate , Fully Skirted, Low Profile 0.2ml Wells, Biocomposite Rigid Frame, White FP Tubes, 10 plates per sleeve, 50 plates per box
BF-1022	8-Frame BIOCOSPOSITE 96 Well PCR Plate , Semi-Skirted, Rache Style with H12 cut corner, Low Profile 0.2ml wells, Biocomposite Rigid Frame, White FP Tubes, 10 plates per sleeve, 50 plates per box
BF-1031	8-Frame BIOCOSPOSITE 96 Well PCR Plate , Sem-Skirted, Universal Style with H1 cut corner, Standard Profile 0.3ml wells, Biocomposite Rigid Frame, Clear FP Tubes, 10 plates per sleeve, 50 plates per box
BF-1032	8-Frame BIOCOSPOSITE 96 Well PCR Plate , Semi-Skirted, Universal Style with H1 cut corner, Standard Profile 0.3ml wells, Biocomposite Rigid Frame, White FP Tubes, 10 plates per sleeve, 50 plates per box
BF-1041	B-Frame BIOCOSPOSITE 96 Well PCR Plate , Semi-Skirted, ABI Style with A12 cut corner, Standard Profile 0.3ml wells, Biocomposite Rigid Frame, Clear FP Tubes, 10 plates per sleeve, 50 plates per box
BF-1042	8-Frame BIOCOSPOSITE 96 Well PCR Plate , Semi-Skirted, ABI Style with A12 cut corner, Standard Profile 0.3ml wells, Biocomposite Rigid Frame, White FP Tubes, 10 plates per sleeve, 50 plates per box

Quality Standards:

Certified free from DNase, RNase, nucleases and human gDNA.

Technical Drawings:



Over the next few months, we will be introducing several more products based on greener manufacturing practices and materials, including a full range of PCR plates, storage plates, and more!

official distributor

SZABO-SCANDIC HandelsgmbH
 Quellenstraße 110, A-1100 Wien
 T. +43(0)1 489 3961-0
 F. +43(0)1 489 3961-7
 mail@szabo-scandic.com
 www.szabo-scandic.com



**SZABO
 SCANDIC**
 Part of Europa Biosite