



SZABO SCANDIC

Part of Europa Biosite

Produktinformation



Forschungsprodukte & Biochemikalien



Zellkultur & Verbrauchsmaterial



Diagnostik & molekulare Diagnostik



Laborgeräte & Service

Weitere Information auf den folgenden Seiten!
See the following pages for more information!



Lieferung & Zahlungsart

siehe unsere [Liefer- und Versandbedingungen](#)

Zuschläge

- Mindermengenzuschlag
- Trockeneiszuschlag
- Gefahrgutzuschlag
- Expressversand

SZABO-SCANDIC HandelsgmbH

Quellenstraße 110, A-1100 Wien

T. +43(0)1 489 3961-0

F. +43(0)1 489 3961-7

mail@szabo-scandic.com

www.szabo-scandic.com

[linkedin.com/company/szaboscandic](https://www.linkedin.com/company/szaboscandic) 



In the Field of Sustainable Science



Arvensis A-Frame[®] PCR Plates and Storage Plates

- Time-tested superior PCR performance from our 2-component A-Frame PCR plates
- Thin-walled reaction tubes made from 100% virgin medical grade polypropylene
- Ultra-rigid polycarbonate frames provide full compatibility with automated systems
- 2-component design helps prevent evaporation due to compromised seal integrity common with 1-component PCR plates
- Manufactured to the highest quality standards for your PCR and qPCR applications

A-Frame Plate Design

Our A-Frame 2-component PCR plate is a proven design that delivers superior performance from your PCR and qPCR applications. The thin-walled reaction wells are made from 100% virgin medical grade polypropylene, which has been recognized to be the best material for PCR. The individual polypropylene wells are set into our rigid polycarbonate frame, which is dimensionally stable and is not affected by the mechanical stresses of thermal cycling. This means the plate seal integrity will not be compromised by plate expansion or warping; you will not experience sample loss that is common with 1-component polypropylene PCR plates. The reduction of sample evaporation improves the consistency of your PCR results. It also provides the opportunity to reduce your overall sample volume. The reagents used in PCR are far more expensive than a PCR plate. Many labs quickly cost-justify high-performance PCR plates with the greater savings from reduced reagent usage and loss. Furthermore, our A-Frame plates remain flat, ensuring compatibility with robotic plate handling, before and after thermal cycling.

Our Experience

The Arvensis team has over 30 years' experience designing and manufacturing PCR plates for some of the largest companies in the life sciences marketplace. We understand the demanding requirements of the scientists that need the best possible PCR consumables. In developing our new A-Frame PCR plates, we set out to exceed the quality and performance expectations of our customers.

Our Quality

We have a rigorous quality program to ensure our plates adhere to all our specifications, and more importantly, meet your expectations. The quality team performs several visual inspections throughout the manufacturing process to ensure there are no defects. We also measure several critical areas for conformance to our dimensional requirements. Every plate undergoes a sensitive electronic well-integrity test to ensure there are no holes in the well. That means every single well of every plate has been checked for leaks before being packaged. We also perform a range of additional tests to check for plate and well integrity, and a PCR evaporation test to ensure our plates do not leak after heat-sealing. Finally, we perform a fluorometric detection assay to ensure there is no DNase or RNase contamination, and a quantitative PCR test to ensure our products are free from detectable human genomic DNA and free from PCR inhibitors.

All of our PCR plates are certified free from DNase, RNase, nucleases and human gDNA



A-Frame 96 Well PCR Plate
Fully Skirted, Low Profile



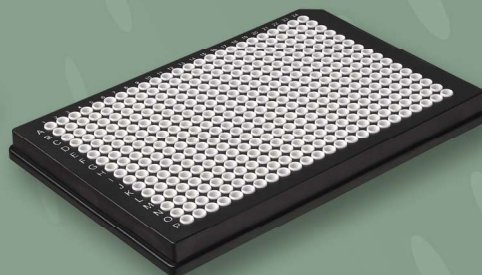
A-Frame 96 Well PCR Plate
*Semi-Skirted, Low Profile,
Roche Style*



A-Frame 96 Well PCR Plate
*Semi-Skirted, Standard Profile,
Universal Style*



A-Frame 96 Well PCR Plate
*Semi-Skirted, Standard Profile,
ABI Style*



A-Frame 384 Well PCR Plate



A-Frame 96 Well Storage Plate
*Fully Skirted, Low Bind,
High Recovery Well Design*

www.arvensis.uk • info@arvensis.uk

LightCycler is a registered trademark of Roche Molecular Systems, Inc. ABI is a registered trademark of ThermoFisher Scientific.

Arvensis and A-Frame are registered trademarks of Arvensis Limited. Copyright © 2021 Arvensis Limited. All rights reserved.

REV 2/22



A-Frame[®] 96 Well PCR Plate

Fully Skirted, Low Profile

Superior performance from our 2-component A-Frame[®] PCR plates

- The Ultra Rigid fully skirted frame remains dimensionally stable during thermal cycling, which facilitates reliable robotic handling and ensures that the seal to each well is not compromised during thermal cycling
- Thin-walled tubes made from 100% virgin medical grade polypropylene
- Low profile wells have a maximum capacity of 225µl
- Manufactured to the highest quality standards for your PCR and qPCR applications
- Our fully skirted 2-component plate fits a wide range of instruments and is fully automation compatible

Quality Standards:

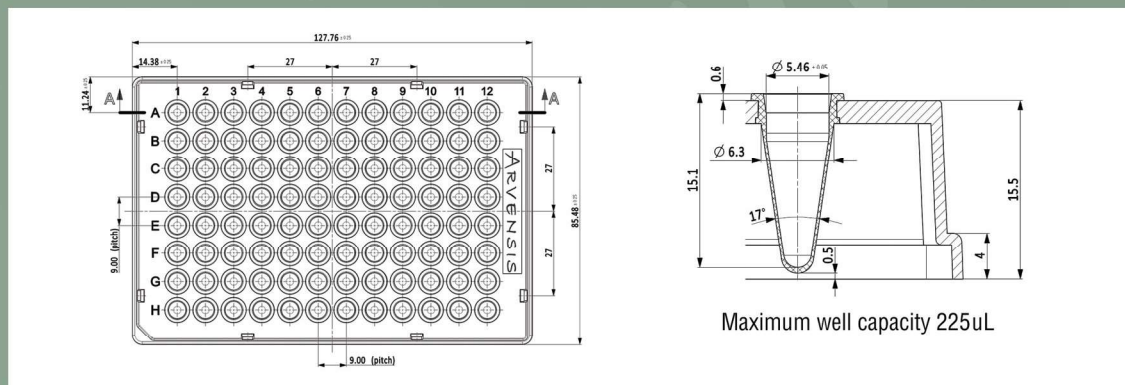
Certified free from DNase, RNase, nucleases and human gDNA.

Ordering Details:

| Part No. | Description |
|----------|----------------------------------------------------------------------------------------------------------------------------------|
| AFK-1001 | A-Frame 96 Well PCR Plate, Fully Skirted with H1 cut corner, Low Profile 0.2mL wells, Black Ultra Rigid Frame, Clear PP Tubes |
| AFK-1002 | A-Frame 96 Well PCR Plate, Fully Skirted with H1 cut corner, Low Profile 0.2mL wells, Black Ultra Rigid Frame, White PP Tubes |
| AFK-1003 | A-Frame 96 Well PCR Plate, Fully Skirted with H1 cut corner, Low Profile 0.2mL wells, Black Ultra Rigid Frame, HS White PP Tubes |
| AFW-1001 | A-Frame 96 Well PCR Plate, Fully Skirted with H1 cut corner, Low Profile 0.2mL wells, White Ultra Rigid Frame, Clear PP Tubes |
| AFW-1002 | A-Frame 96 Well PCR Plate, Fully Skirted with H1 cut corner, Low Profile 0.2mL wells, White Ultra Rigid Frame, White PP Tubes |
| AFW-1003 | A-Frame 96 Well PCR Plate, Fully Skirted with H1 cut corner, Low Profile 0.2mL wells, White Ultra Rigid Frame, HS White PP Tubes |

All PCR plates are packed 10 plates per sleeve, 50 plates per box. HS White = High Sensitivity White

Technical Drawing:



www.arvensis.uk • info@arvensis.uk



A-Frame[®] 96 Well PCR Plate Semi-Skirted, Low Profile, Roche Style

Superior performance from our 2-component A-Frame[®] PCR plates

- The rigid semi-skirted frame remains dimensionally stable during thermal cycling, which facilitates reliable robotic handling and ensures that the seal to each well is not compromised during thermal cycling
- Thin-walled tubes made from 100% virgin medical grade polypropylene
- Low profile wells have a maximum capacity of 225µl
- Manufactured to the highest quality standards for your PCR and qPCR applications
- Our 2-component Roche style design delivers improved performance over the OEM plates for the Lightcycler

Quality Standards:

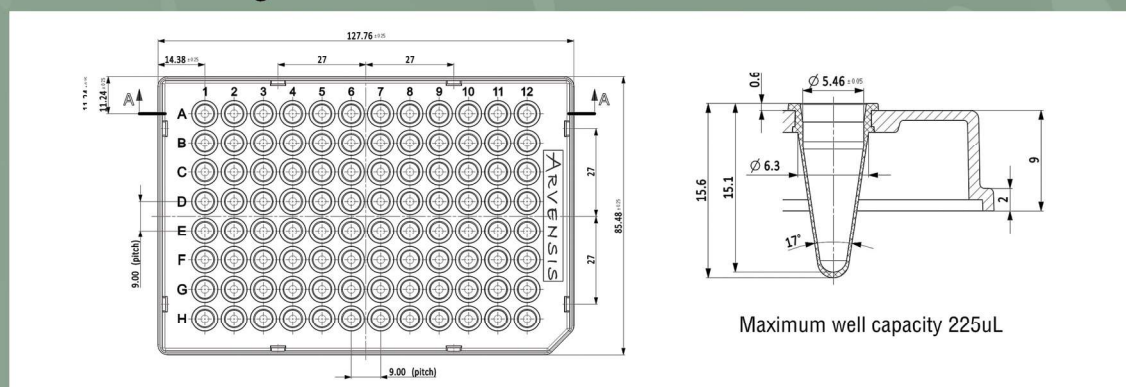
Certified free from DNase, RNase, nucleases and human gDNA.

Ordering Details:

| Part No. | Description |
|----------|-----------------------------------------------------------------------------------------------------------------------------------------|
| AFC-1021 | A-Frame 96 Well PCR Plate, Semi-Skirted, Roche Style with H12 cut corner, Low Profile 0.2mL wells, Clear Rigid Frame, Clear PP Tubes |
| AFC-1022 | A-Frame 96 Well PCR Plate, Semi-Skirted, Roche Style with H12 cut corner, Low Profile 0.2mL wells, Clear Rigid Frame, White PP Tubes |
| AFW-1022 | A-Frame 96 Well PCR Plate, Semi-Skirted, Roche Style with H12 cut corner, Low Profile 0.2mL wells, White Rigid Frame, White PP Tubes |
| AFW-1023 | A-Frame 96 Well PCR Plate, Semi-Skirted, Roche Style with H12 cut corner, Low Profile 0.2mL wells, White Rigid Frame, HS White PP Tubes |

All PCR plates are packed 10 plates per sleeve, 50 plates per box. HS White = High Sensitivity White

Technical Drawing:



www.arvensis.uk • info@arvensis.uk

LightCycler is a registered trademark of Roche Molecular Systems, Inc.

Arvensis and A-Frame are registered trademarks of Arvensis Limited. Copyright © 2021 Arvensis Limited. All rights reserved.



A-Frame® 96 Well PCR Plate

Semi-Skirted, Standard Profile, Universal Style

Superior performance from our 2-component A-Frame® PCR plates

- The rigid semi-skirted frame remains dimensionally stable during thermal cycling, which facilitates reliable robotic handling and ensures that the seal to each well is not compromised during thermal cycling
- Thin-walled tubes made from 100% virgin medical grade polypropylene
- Standard profile wells have a maximum capacity of 330µl
- Manufactured to the highest quality standards for your PCR and qPCR applications
- Our 2-component Universal style design features a semi-skirt frame and standard height wells for compatibility with a wide range of instruments

Quality Standards:

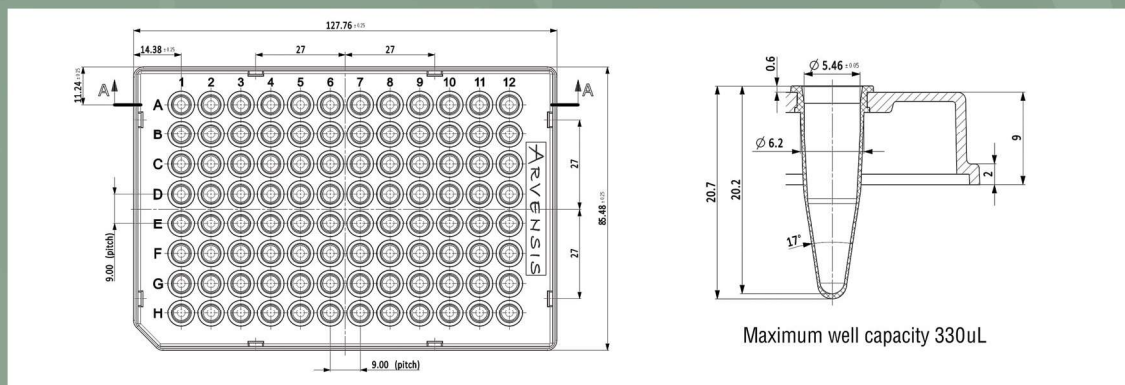
Certified free from DNase, RNase, nucleases and human gDNA.

Ordering Details:

| Part No. | Description |
|----------|-------------------------------------------------------------------------------------------------------------------------------------------------|
| AFC-1031 | A-Frame 96 Well PCR Plate, Semi-Skirted, Universal style with H1 cut corner, Standard Profile 0.3mL wells, Clear Rigid Frame, Clear PP Tubes |
| AFC-1032 | A-Frame 96 Well PCR Plate, Semi-Skirted, Universal style with H1 cut corner, Standard Profile 0.3mL wells, Clear Rigid Frame, White PP Tubes |
| AFC-1033 | A-Frame 96 Well PCR Plate, Semi-Skirted, Universal style with H1 cut corner, Standard Profile 0.3mL wells, Clear Rigid Frame, HS White PP Tubes |

All PCR plates are packed 10 plates per sleeve, 50 plates per box. HS White = High Sensitivity White

Technical Drawing:



www.arvensis.uk • info@arvensis.uk



A-Frame® 96 Well PCR Plate

Semi-Skirted, Standard Profile, ABI Style

Superior performance from our 2-component A-Frame® PCR plates

- The rigid semi-skirted frame remains dimensionally stable during thermal cycling, which facilitates reliable robotic handling and ensures that the seal to each well is not compromised during thermal cycling
- Thin-walled tubes made from 100% virgin medical grade polypropylene
- Standard profile wells have a maximum capacity of 330µl
- Manufactured to the highest quality standards for your PCR and qPCR applications
- ABI style 2-component plates are designed for compatibility with most ABI thermal cyclers, from legacy designs to the most recent instruments

Quality Standards:

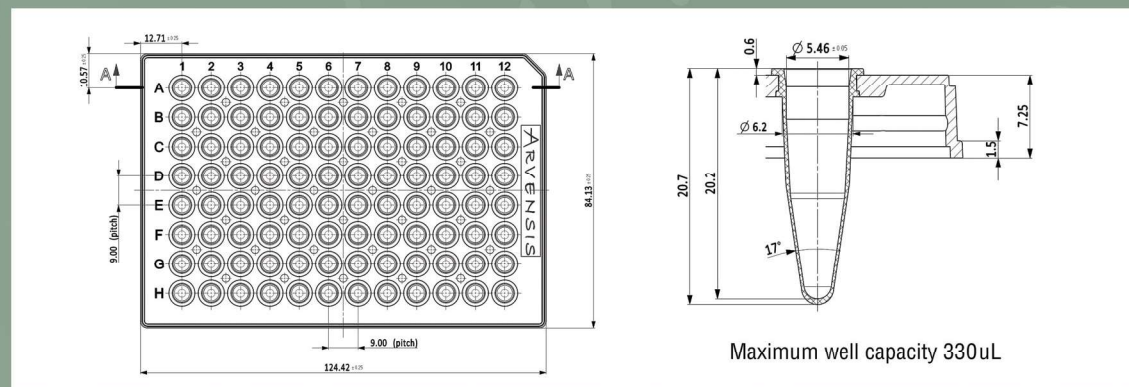
Certified free from DNase, RNase, nucleases and human gDNA.

Ordering Details:

| Part No. | Description |
|----------|-----------------------------------------------------------------------------------------------------------------------------------------|
| AFC-1041 | A-Frame 96 Well PCR Plate, Semi-Skirted, ABI style with A12 cut corner, Standard Profile 0.3mL wells, Clear Rigid Frame, Clear PP Tubes |
| AFC-1042 | A-Frame 96 Well PCR Plate, Semi-Skirted, ABI style with A12 cut corner, Standard Profile 0.3mL wells, Clear Rigid Frame, White PP Tubes |

All PCR plates are packed 10 plates per sleeve, 50 plates per box.

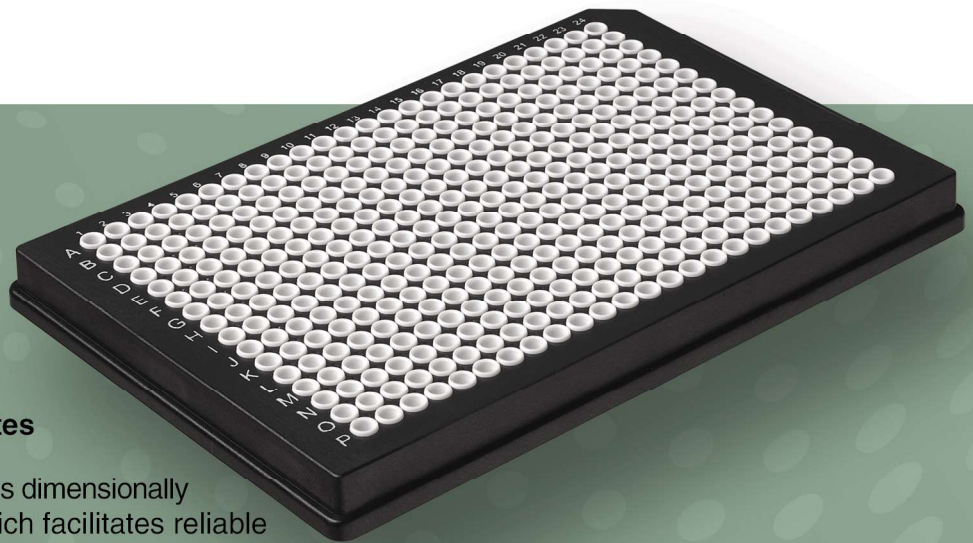
Technical Drawing:



www.arvensis.uk • info@arvensis.uk

ABI is a registered trademark of ThermoFisher Scientific.

Arvensis and A-Frame are registered trademarks of Arvensis Limited. Copyright © 2021 Arvensis Limited. All rights reserved.



A-Frame[®] 384 Well PCR Plate

Superior performance from our 2-component A-Frame[®] PCR plates

- The rigid semi-skirted frame remains dimensionally stable during thermal cycling, which facilitates reliable robotic handling and ensures that the seal to each well is not compromised during thermal cycling
- Thin-walled tubes made from 100% virgin medical grade polypropylene
- Maximum well capacity is 45µl
- Manufactured to the highest quality standards for your PCR and qPCR applications
- Our fully skirted 2-component PCR plate fits a wide range of instruments and is fully automation compatible

Quality Standards:

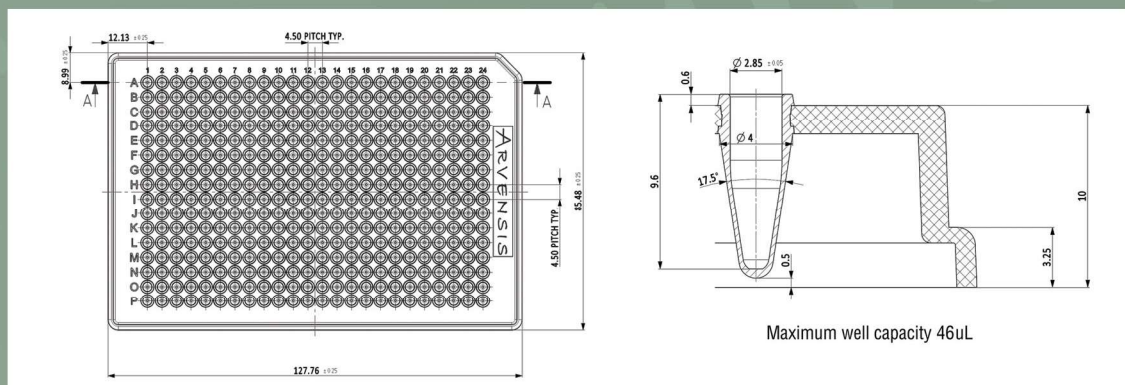
Certified free from DNase, RNase, nucleases and human gDNA.

Ordering Details:

| Part No. | Description |
|----------|------------------------------------------------------------------------------------------------------------------------------------------|
| AFK-2001 | A-Frame 384 Well PCR Plate, Fully Skirted, 45µl wells, A24 cut corner, Black Ultra Rigid Frame, Clear PP Tubes |
| AFK-2002 | A-Frame 384 Well PCR Plate, Fully Skirted, 45µl wells, A24 cut corner, Black Ultra Rigid Frame, White PP Tubes |
| AFW-2022 | A-Frame 384 Well PCR Plate, Fully Skirted, 45µl wells, Roche Style with A24 and P24 cut corners, White Ultra Rigid Frame, White PP Tubes |

All PCR plates are packed 10 plates per sleeve, 50 plates per box.

Technical Drawing:



www.arvensis.uk • info@arvensis.uk

LightCycler is a registered trademark of Roche Molecular Systems, Inc.

Arvensis and A-Frame are registered trademarks of Arvensis Limited. Copyright © 2021 Arvensis Limited. All rights reserved.

A-Frame® 96 Well Storage Plate

Fully Skirted, Low Bind, High Recovery Well Design



Extreme close up (with the plate flipped) to show the bottom tips of the wells

- Our unique storage plate design is ideal for low volume sample applications
- Ultra-Rigid frame design withstands low temperatures and facilitates reliable robotic handling
- Sealed plates are fully stackable, ensuring compatibility with automated plate handling systems and stacked storage options
- 100% virgin medical-grade polypropylene well is designed for low temperature storage
- Maximum well capacity is 175µl
- The variable concentric well shape facilitates high recovery of your sample

Quality Standards:

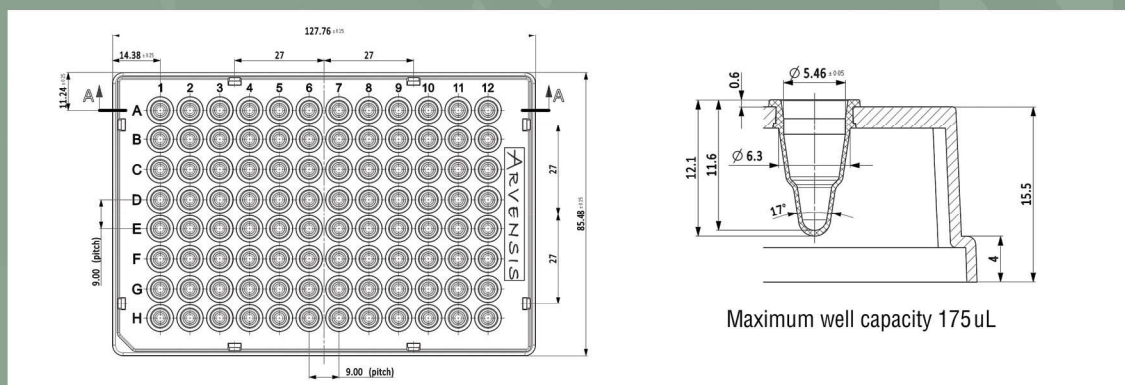
Certified free from DNase, RNase, nucleases and human gDNA.

Ordering Details:

| Part No. | Description |
|----------|-------------------------------------------------------------------------------------------------------------------------------------------------|
| AFK-5001 | A-Frame 96 Well Storage Plate, Fully Skirted with H1 cut corner, 0.15mL wells, Low Bind, High Recovery, Black Ultra Rigid Frame, Clear PP Tubes |

A-Frame storage plates are packed 10 plates per sleeve, 50 plates per box.

Technical Drawing:



www.arvensis.uk • info@arvensis.uk

**Arvensis 96 Well PCR Plate, Fully Skirted, Low Profile
(A-Frame and B-Frame)**
Instrument Compatibility List



Agilent AriaMx qPCR System
Agilent Robocycler Gradient
Analytic Jena Alpha SC
Analytic Jena Flexcycler2, T1 Thermocycler, T Gradient, T One, T Advanced, T Professional series
Analytic Jena T robot 96, SpeedCycler2 SP, SPR
Apollo ATC-201
Biometra T Advanced 96, 96 G, 96 S, 96 SG
Biometra T Gradient 96
Biometra T One
Biometra T Professional series
Biometra Uno
Bio-Rad (MJ Research) DNA Engine Opticon and Opticon 2
Bio-Rad (MJ Research) DNA Engine, DNA Engine Tetrad, Tetrad 2, DNA Engine Dyad, Dyad Disciple
Bio-Rad (MJ Research) PTC 200
Bio-Rad C1000, C1000 Touch, S1000
Bio-Rad C1000, C1000 Touch, S1000
Bio-Rad CFX Connect, CFX96, CFX96 Touch
Bio-Rad CFX96 Touch Deep Well
Bio-Rad Chromo4
Eppendorf Mastercycler ep realplex
Eppendorf MasterCycler ep, ep gradient, Pro, Pro S, nexus, nexus gradient, nexus SX1, nexus GSX1
Eppendorf Mastercycler series
GE Healthcare Amersham MegaBACE 500, MegaBACE 1000 mark 2
G-Storm GS1
Idaho Technology LightScanner
MJ Research (Bio-Rad) DNA Engine Opticon and Opticon 2
MJ Research (Bio-Rad) DNA Engine, DNA Engine Tetrad, Tetrad 2, DNA Engine Dyad, Dyad Disciple
MJ Research (Bio-Rad) PTC100, 200, 220, 221, 225, 240
peqLab peqSTAR 96X
Techne Quantica
Techne TC-412
Techne TC412, TC512, Genius, Genius Quad, Touchgene, Touchgene Gradient, Flexigene
Techne TC-PLUS
Techne Touchgene
VWR Collection UNO96
VWR peqlab peqSTAR 96X

NOTE: We have compiled this list based on plate design and cross-referencing compatibility information available from Eppendorf, Bio-Rad, 4titude, and other sources. Each instrument listed may have variations in block design and configuration. Compatibility is not guaranteed; this is meant as a general guide.

All instrument brand names and model names listed above are the trademarks of their respective owners.

Revised February 10, 2022

**Arvensis 96 Well PCR Plate, Semi-Skirted, Low Profile, Roche style
(A-Frame and B-Frame)**
Instrument Compatibility List



Roche LC96, LC480

NOTE: We have compiled this list based on plate design and cross-referencing compatibility information available from Eppendorf, Bio-Rad, 4titude, and other sources. Each instrument listed may have variations in block design and configuration. Compatibility is not guaranteed; this is meant as a general guide.

All instrument brand names and model names listed above are the trademarks of their respective owners.

Revised February 10, 2022

**Arvensis 96 Well PCR Plate, Semi-Skirted, Standard Profile, Universal style
(A-Frame and B-Frame)**
Instrument Compatibility List



ABI GeneAmp 9600, 9700
ABI MiniAmp
ABI ProFlex
ABI QuantStudio 3, 5, 6, 7, 12 K Real-time PCR System
ABI SimpliAmp
ABI Veriti 96-well
ABI GeneAmp 2700, 2720
Agilent (Stratagene) Robocycler Gradient
Agilent Mx3000P, Mx3005P
Agilent Surecycler 8800
Analytica Jena Flexcycler2, T1, Tgradient, Tone, Tadvanced, Tprofessional Gradient/XL, Trobot 96, SpeedCycler2 SP, SPR
Analytica Jena qTOWER3 (G, touch), Toptical
Apollo ATC-201
Bioer Gene Explorer
Bioer Gene Touch 96
Biometra T Advanced 96, 96 G, 96 S, 96 SG
Biometra T Gradient 96
Biometra T One
Biometra T Professional series
Biometra Uno
BIONEER AllInOneCycler
Bio-Rad C1000, C1000 Touch, S1000, iCycler, MyCycler, T100
Bio-Rad CFX96 Touch Deepwell
Bio-Rad iCycler
Bio-Rad iQ, iQ-5, myiQ PCR System
Bio-Rad MyCycler
Bio-Rad MyiQ, iCycler, IQ, IQ 4, IQ 5
Bio-Rad PTC 200
Bio-Rad T100
Corbett Research (Qiagen) Palm Cycler
Eppendorf Mastercycler ep realplex
Eppendorf MasterCycler ep, ep gradient, Pro, Pro S, nexus, nexus gradient, nexus SX1, nexus GSX1
G-Storm GS1
HiMedia® Prima-96
MJ Research (Bio-Rad) Chromo4
MJ Research (Bio-Rad) Personal, PCT100, 200, 220, 221, 225, 240
peqLab peqSTAR 96X
Sensoquest Labcycler
Stratagene Robocycler Gradient
Takara Dice touch, Gradient
Techne Prime, PrimeG, Prime Elite, Prime Elite Satellite, PCRmax Alpha cycler 1, 2, 4
Techne Genius, Genius Quad, Touchgene, Touchgene Gradient, Flexigene
Techne TC-412, TC-512, TC Plus
VWR Collection UNO96

NOTE: We have compiled this list based on plate design and cross-referencing compatibility information available from Eppendorf, Bio-Rad, 4titude, and other sources. Each instrument listed may have variations in block design and configuration. Compatibility is not guaranteed; this is meant as a general guide.

All instrument brand names and model names listed above are the trademarks of their respective owners.

Revised February 10, 2022

**Arvensis 96 Well PCR Plate, Semi-Skirted, Standard Profile, ABI style
(A-Frame and B-Frame)**

Instrument Compatibility List



ABI 3100, 3130XL, 3500, 3500XL, 3730, 3730XL
ABI 7000, 7300, 7500, 7700, 7900 HT
ABI GeneAmp 2700, 2720, 9600, 9700
ABI QuantStudio 3, 5, 6, 7, 12K, ViiA7
ABI Veriti, Proflex, Simplicamp
Agilent Mx3000P, Mx3005P, Mx4000
Analytik Jena Flexcycler2, T1 Thermocycler, Tgradient, Tone, Tadvanced, TProfessional Gradient/XL
Analytik Jena qTOWER3 G, qTOWER3 touch, Toptical
Analytik Jena Trobot 96, SpeedCycler2 SP, SpeedCycler2 SPR
Bioer Technologies Gene Touch 96
Bio-Rad C1000 Touch, S1000, iCycler, MyCycler, T100
Bio-Rad MyiQ, iCycler IQ, IQ 4, IQ 5
Corbett Research (Qiagen) Palm Cycler
Eppendorf MasterCycler ep, ep gradient, ep realplex, Pro, nexus, nexus gradient, nexus SX1, nexus GSX1
MJ Research (Bio-Rad) PTC100, 200, 220, 221, 225, 240, Chromo4
peqLab peqSTAR 96X
Sensoquest Labcycler
Takara Dice touch, Gradient
Techne PCRmax Alpha cycler 1, 2, 4
Techne Prime, PrimeG, Prime Elite, Prime Elite Satellite
Techne TC412, TC512, Genius, Genius Quad, Touchgene, Touchgene Gradient, Flexigene

NOTE: We have compiled this list based on plate design and cross-referencing compatibility information available from Eppendorf, Bio-Rad, 4titude, and other sources. Each instrument listed may have variations in block design and configuration. Compatibility is not guaranteed; this is meant as a general guide.

All Instrument brand names and model names listed above are the trademarks of their respective owners.

Revised February 10, 2022

**Arvensis A-Frame 384 Well Skirted PCR Plate
(A-Frame and B-Frame)**
Instrument Compatibility List



ABI 3100, 3130XL, 3500, 3500XL, 3730, 3730XL
ABI GeneAmp 9700, Veriti, Proflex, Multiblock system
ABI QuantStudio 5, 6, 7, 12K, ViiA7, 7900 HT FAST
ABI Veriti 384-well
Agilent SureCycler 8800
Analytik Jena Flexcycler2, T1 Thermocycler, Tadvanced, TProfessional, Trobot, Qtower
Bioer Gene Touch 384
Biometra Tadvanced
Bio-Rad C1000, C1000 Touch, S1000
Bio-Rad CFX384, CFX384 Touch
Corbett Research (Qiagen) Palm Cyclor 384
Eppendorf MasterCycler ep 384 / Pro 384
GE Healthcare Amersham MegaBACE 4000
Idaho Technology LightScanner
MJ Research (Bio-Rad) DNA Engine, Tetrad, Tetrad 2, Dyad, Dyad Disciple
MJ Research (Bio-Rad) PTC200, 220, 221, 225, 240
peqLab peqSTAR 384X
Sensoquest Labcycler
Techne PCRmax Alpha cyclor 1, 2, 4
Techne Prime, PrimeG, Prime Elite, Prime Elite Satellite
Techne TC412, TC512, Genius, Genius Quad, Flexigene

NOTE: We have compiled this list based on plate design and cross-referencing compatibility information available from Eppendorf, Bio-Rad, 4titude, and other sources. Each instrument listed may have variations in block design and configuration. Compatibility is not guaranteed; this is meant as a general guide.

All instrument brand names and model names listed above are the trademarks of their respective owners.

Revised February 10, 2022