



SZABO SCANDIC

Part of Europa Biosite

Produktinformation



Forschungsprodukte & Biochemikalien



Zellkultur & Verbrauchsmaterial



Diagnostik & molekulare Diagnostik



Laborgeräte & Service

Weitere Information auf den folgenden Seiten!
See the following pages for more information!



Lieferung & Zahlungsart

siehe unsere [Liefer- und Versandbedingungen](#)

Zuschläge

- Mindermengenzuschlag
- Trockeneiszuschlag
- Gefahrgutzuschlag
- Expressversand

SZABO-SCANDIC HandelsgmbH

Quellenstraße 110, A-1100 Wien

T. +43(0)1 489 3961-0

F. +43(0)1 489 3961-7

mail@szabo-scandic.com

www.szabo-scandic.com

[linkedin.com/company/szaboscandic](https://www.linkedin.com/company/szaboscandic) 



Inset shows fully skirted on left and semi-skirted on right.

B-Frame[®] BIOCOMPOSITE PCR Plates

We are proud and pleased to introduce the world's first PCR plate designed to help reduce plastic waste by using earth-friendly biocomposite materials.

- Superior performance from our 2-component B-Frame[®] PCR plates
- The rigid biocomposite frames are produced from sustainably-sourced plant biomass, resulting in a reduction of petroleum-derived plastic used to manufacture the frame by 46 - 50% depending on the frame style
- Thin-walled tubes made from 100% virgin medical grade polypropylene
- Manufactured to the highest quality standards for all your PCR and qPCR applications
- Our fully skirted low profile plate fits a wide range of instruments and is fully automation compatible
- Roche style semi-skirted low-profile plate delivers improved performance for the LightCycler
- Universal style PCR plates feature a rigid semi-skirt design and standard height wells for compatibility with a wide range of instruments
- ABI style semi-skirted plates are designed for compatibility with most ABI thermal cyclers, from legacy designs to the most recent instruments

With a keen focus on sustainability, we are determined to achieve a reduction of our carbon footprint and greenhouse gas emissions by utilizing a plant-based biocomposite matrix whenever possible in place of petroleum-derived plastics.

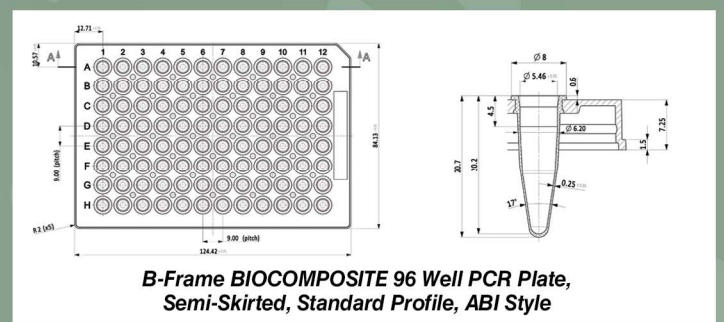
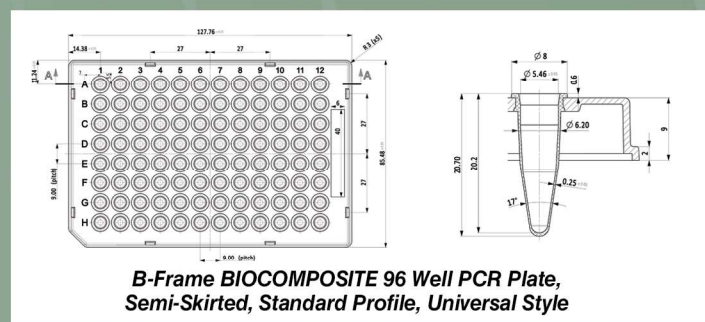
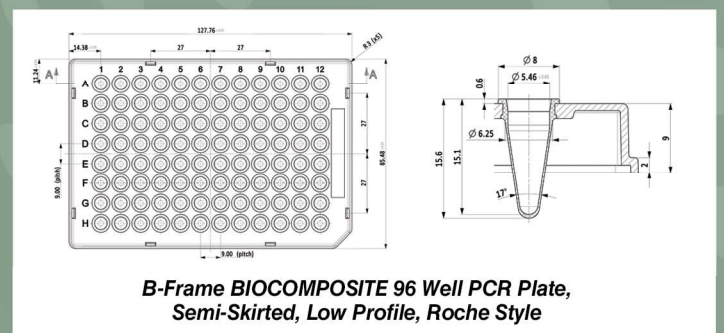
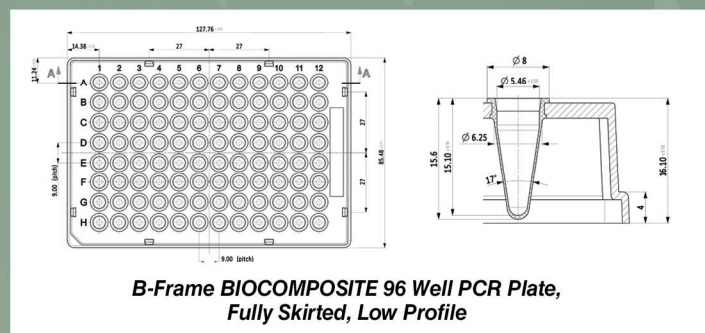
Ordering Details:

Part No.	Description
BF-1001	B-Frame BIOCUMPOSITE 96 Well PCR Plate , Fully Skirted, Low Profile 0.2mL Wells, Biocomposite Rigid Frame, Clear PP Tubes, 10 plates per sleeve, 50 plates per box
BF-1002	B-Frame BIOCUMPOSITE 96 Well PCR Plate , Fully Skirted, Low Profile 0.2mL Wells, Biocomposite Rigid Frame, White PP Tubes, 10 plates per sleeve, 50 plates per box
BF-1022	B-Frame BIOCUMPOSITE 96 Well PCR Plate , Semi-Skirted, Roche Style with H12 cut corner, Low Profile 0.2mL wells, Biocomposite Rigid Frame, White PP Tubes, 10 plates per sleeve, 50 plates per box
BF-1031	B-Frame BIOCUMPOSITE 96 Well PCR Plate , Semi-Skirted, Universal Style with H1 cut corner, Standard Profile 0.3mL wells, Biocomposite Rigid Frame, Clear PP Tubes, 10 plates per sleeve, 50 plates per box
BF-1032	B-Frame BIOCUMPOSITE 96 Well PCR Plate , Semi-Skirted, Universal Style with H1 cut corner, Standard Profile 0.3mL wells, Biocomposite Rigid Frame, White PP Tubes, 10 plates per sleeve, 50 plates per box
BF-1041	B-Frame BIOCUMPOSITE 96 Well PCR Plate , Semi-Skirted, ABI Style with A12 cut corner, Standard Profile 0.3mL wells, Biocomposite Rigid Frame, Clear PP Tubes, 10 plates per sleeve, 50 plates per box
BF-1042	B-Frame BIOCUMPOSITE 96 Well PCR Plate , Semi-Skirted, ABI Style with A12 cut corner, Standard Profile 0.3mL wells, Biocomposite Rigid Frame, White PP Tubes, 10 plates per sleeve, 50 plates per box

Quality Standards:

Certified free from DNase, RNase, nucleases and human gDNA.

Technical Drawings:



Over the next few months, we will be introducing several more products based on greener manufacturing practices and materials, including a full range of PCR plates, storage plates, and more!

www.arvensis.uk • info@arvensis.uk

LightCycler is a registered trademark of Roche Molecular Systems, Inc. ABI is a registered trademark of ThermoFisher Scientific. Arvensis and B-Frame are registered trademarks of Arvensis Limited. Copyright © 2021 Arvensis Limited. All rights reserved.

**Arvensis 96 Well PCR Plate, Fully Skirted, Low Profile
(A-Frame and B-Frame)**
Instrument Compatibility List



Agilent AriaMx qPCR System
Agilent Robocycler Gradient
Analytic Jena Alpha SC
Analytic Jena Flexcycler2, T1 Thermocycler, T Gradient, T One, T Advanced, T Professional series
Analytic Jena T robot 96, SpeedCycler2 SP, SPR
Apollo ATC-201
Biometra T Advanced 96, 96 G, 96 S, 96 SG
Biometra T Gradient 96
Biometra T One
Biometra T Professional series
Biometra Uno
Bio-Rad (MJ Research) DNA Engine Opticon and Opticon 2
Bio-Rad (MJ Research) DNA Engine, DNA Engine Tetrad, Tetrad 2, DNA Engine Dyad, Dyad Disciple
Bio-Rad (MJ Research) PTC 200
Bio-Rad C1000, C1000 Touch, S1000
Bio-Rad C1000, C1000 Touch, S1000
Bio-Rad CFX Connect, CFX96, CFX96 Touch
Bio-Rad CFX96 Touch Deep Well
Bio-Rad Chromo4
Eppendorf Mastercycler ep realplex
Eppendorf MasterCycler ep, ep gradient, Pro, Pro S, nexus, nexus gradient, nexus SX1, nexus GSX1
Eppendorf Mastercycler series
GE Healthcare Amersham MegaBACE 500, MegaBACE 1000 mark 2
G-Storm GS1
Idaho Technology LightScanner
MJ Research (Bio-Rad) DNA Engine Opticon and Opticon 2
MJ Research (Bio-Rad) DNA Engine, DNA Engine Tetrad, Tetrad 2, DNA Engine Dyad, Dyad Disciple
MJ Research (Bio-Rad) PTC100, 200, 220, 221, 225, 240
peqLab peqSTAR 96X
Techne Quantica
Techne TC-412
Techne TC412, TC512, Genius, Genius Quad, Touchgene, Touchgene Gradient, Flexigene
Techne TC-PLUS
Techne Touchgene
VWR Collection UNO96
VWR peqlab peqSTAR 96X

NOTE: We have compiled this list based on plate design and cross-referencing compatibility information available from Eppendorf, Bio-Rad, 4titude, and other sources. Each instrument listed may have variations in block design and configuration. Compatibility is not guaranteed; this is meant as a general guide.

All instrument brand names and model names listed above are the trademarks of their respective owners.

Revised February 10, 2022

**Arvensis 96 Well PCR Plate, Semi-Skirted, Low Profile, Roche style
(A-Frame and B-Frame)**
Instrument Compatibility List



Roche LC96, LC480

NOTE: We have compiled this list based on plate design and cross-referencing compatibility information available from Eppendorf, Bio-Rad, 4titude, and other sources. Each instrument listed may have variations in block design and configuration. Compatibility is not guaranteed; this is meant as a general guide.

All instrument brand names and model names listed above are the trademarks of their respective owners.

Revised February 10, 2022

**Arvensis 96 Well PCR Plate, Semi-Skirted, Standard Profile, Universal style
(A-Frame and B-Frame)**
Instrument Compatibility List



ABI GeneAmp 9600, 9700
ABI MiniAmp
ABI ProFlex
ABI QuantStudio 3, 5, 6, 7, 12 K Real-time PCR System
ABI SimpliAmp
ABI Veriti 96-well
ABI GeneAmp 2700, 2720
Agilent (Stratagene) Robocycler Gradient
Agilent Mx3000P, Mx3005P
Agilent Surecycler 8800
Analytica Jena Flexcycler2, T1, Tgradient, Tone, Tadvanced, Tprofessional Gradient/XL, Trobot 96, SpeedCycler2 SP, SPR
Analytica Jena qTOWER3 (G, touch), Toptical
Apollo ATC-201
Bioer Gene Explorer
Bioer Gene Touch 96
Biometra T Advanced 96, 96 G, 96 S, 96 SG
Biometra T Gradient 96
Biometra T One
Biometra T Professional series
Biometra Uno
BIONEER AllInOneCycler
Bio-Rad C1000, C1000 Touch, S1000, iCycler, MyCycler, T100
Bio-Rad CFX96 Touch Deepwell
Bio-Rad iCycler
Bio-Rad iQ, iQ-5, myiQ PCR System
Bio-Rad MyCycler
Bio-Rad MyiQ, iCycler, IQ, IQ 4, IQ 5
Bio-Rad PTC 200
Bio-Rad T100
Corbett Research (Qiagen) Palm Cycler
Eppendorf Mastercycler ep realplex
Eppendorf MasterCycler ep, ep gradient, Pro, Pro S, nexus, nexus gradient, nexus SX1, nexus GSX1
G-Storm GS1
HiMedia® Prima-96
MJ Research (Bio-Rad) Chromo4
MJ Research (Bio-Rad) Personal, PCT100, 200, 220, 221, 225, 240
peqLab peqSTAR 96X
Sensoquest Labcycler
Stratagene Robocycler Gradient
Takara Dice touch, Gradient
Techne Prime, PrimeG, Prime Elite, Prime Elite Satellite, PCRmax Alpha cycler 1, 2, 4
Techne Genius, Genius Quad, Touchgene, Touchgene Gradient, Flexigene
Techne TC-412, TC-512, TC Plus
VWR Collection UNO96

NOTE: We have compiled this list based on plate design and cross-referencing compatibility information available from Eppendorf, Bio-Rad, 4titude, and other sources. Each instrument listed may have variations in block design and configuration. Compatibility is not guaranteed; this is meant as a general guide.

All instrument brand names and model names listed above are the trademarks of their respective owners.

Revised February 10, 2022

**Arvensis 96 Well PCR Plate, Semi-Skirted, Standard Profile, ABI style
(A-Frame and B-Frame)**
Instrument Compatibility List



ABI 3100, 3130XL, 3500, 3500XL, 3730, 3730XL
ABI 7000, 7300, 7500, 7700, 7900 HT
ABI GeneAmp 2700, 2720, 9600, 9700
ABI QuantStudio 3, 5, 6, 7, 12K, ViiA7
ABI Veriti, Proflex, Simpliamp
Agilent Mx3000P, Mx3005P, Mx4000
Analytik Jena Flexcycler2, T1 Thermocycler, Tgradient, Tone, Tadvanced, TProfessional Gradient/XL
Analytik Jena qTOWER3 G, qTOWER3 touch, Toptical
Analytik Jena Trobot 96, SpeedCycler2 SP, SpeedCycler2 SPR
Bioer Technologies Gene Touch 96
Bio-Rad C1000 Touch, S1000, iCycler, MyCycler, T100
Bio-Rad MyiQ, iCycler IQ, IQ 4, IQ 5
Corbett Research (Qiagen) Palm Cycler
Eppendorf MasterCycler ep, ep gradient, ep realplex, Pro, nexus, nexus gradient, nexus SX1, nexus GSX1
MJ Research (Bio-Rad) PTC100, 200, 220, 221, 225, 240, Chromo4
peqLab peqSTAR 96X
Sensoquest Labcycler
Takara Dice touch, Gradient
Techne PCRmax Alpha cycler 1, 2, 4
Techne Prime, PrimeG, Prime Elite, Prime Elite Satellite
Techne TC412, TC512, Genius, Genius Quad, Touchgene, Touchgene Gradient, Flexigene

NOTE: We have compiled this list based on plate design and cross-referencing compatibility information available from Eppendorf, Bio-Rad, 4titude, and other sources. Each instrument listed may have variations in block design and configuration. Compatibility is not guaranteed; this is meant as a general guide.

All Instrument brand names and model names listed above are the trademarks of their respective owners.

Revised February 10, 2022

**Arvensis A-Frame 384 Well Skirted PCR Plate
(A-Frame and B-Frame)**
Instrument Compatibility List



ABI 3100, 3130XL, 3500, 3500XL, 3730, 3730XL
ABI GeneAmp 9700, Veriti, Proflex, Multiblock system
ABI QuantStudio 5, 6, 7, 12K, ViiA7, 7900 HT FAST
ABI Veriti 384-well
Agilent SureCycler 8800
Analytik Jena Flexcycler2, T1 Thermocycler, Tadvanced, TProfessional, Trobot, Qtower
Bioer Gene Touch 384
Biometra Tadvanced
Bio-Rad C1000, C1000 Touch, S1000
Bio-Rad CFX384, CFX384 Touch
Corbett Research (Qiagen) Palm Cyclor 384
Eppendorf MasterCycler ep 384 / Pro 384
GE Healthcare Amersham MegaBACE 4000
Idaho Technology LightScanner
MJ Research (Bio-Rad) DNA Engine, Tetrad, Tetrad 2, Dyad, Dyad Disciple
MJ Research (Bio-Rad) PTC200, 220, 221, 225, 240
peqLab peqSTAR 384X
Sensoquest Labcycler
Techne PCRmax Alpha cyclor 1, 2, 4
Techne Prime, PrimeG, Prime Elite, Prime Elite Satellite
Techne TC412, TC512, Genius, Genius Quad, Flexigene

NOTE: We have compiled this list based on plate design and cross-referencing compatibility information available from Eppendorf, Bio-Rad, 4titude, and other sources. Each instrument listed may have variations in block design and configuration. Compatibility is not guaranteed; this is meant as a general guide.

All Instrument brand names and model names listed above are the trademarks of their respective owners.

Revised February 10, 2022