



# SZABO SCANDIC

Part of Europa Biosite

## Produktinformation



Forschungsprodukte & Biochemikalien



Zellkultur & Verbrauchsmaterial



Diagnostik & molekulare Diagnostik



Laborgeräte & Service

Weitere Information auf den folgenden Seiten!  
See the following pages for more information!



### Lieferung & Zahlungsart

siehe unsere [Liefer- und Versandbedingungen](#)

### Zuschläge

- Mindermengenzuschlag
- Trockeneiszuschlag
- Gefahrgutzuschlag
- Expressversand

### SZABO-SCANDIC HandelsgmbH

Quellenstraße 110, A-1100 Wien

T. +43(0)1 489 3961-0

F. +43(0)1 489 3961-7

[mail@szabo-scandic.com](mailto:mail@szabo-scandic.com)

[www.szabo-scandic.com](http://www.szabo-scandic.com)

[linkedin.com/company/szaboscandic](https://www.linkedin.com/company/szaboscandic) 

<b>CORNING</b>	<b>Life Sciences</b>	Document Number: <b>LSR00159</b>	Rev.: <b>5</b>
Description (Class): <b>Reference, Customer Technical Data Sheet Cell Strainers</b>			Page: <b>1 of 2</b>

**Applications:**

- Straining cells to obtain a more uniform single-cell suspension from tissues and cell clumps.
  - Examples include:
  - Preparation of a single-cell suspension of blood cells from marrow, pancreas, thymus, tonsil, and lymph nodes
  - Preparation of cell culturing specimens (primary cell culturing)
  - Preparation of cells as immunogens
  - Preparation of cell culturing materials for freezing stocks
  - Filtering agglutinative proteins produced in inactivation serum
- Faster and easier alternative to gauze filtration in procedures involving dissociation of cells from either clumps or primary tissues

**Features:**

- Three Nylon mesh pore sizes (40, 70 and 100 µm) for optimal performance in a variety of applications
- Sterilized and conveniently accessible in individual packaging
- Extended lip on strainer enables aseptic handling with forceps
- Molded color-coded polypropylene frame with tab enables easy handling
- Fits into 50 mL Corning® and Falcon® Conical Tubes

**STERILITY:**

Products are gamma irradiated.

**REGULATORY COMPLIANCE:**

Corning and Falcon products are manufactured under the current ISO 13485 and the current FDA Quality System Regulation 21 CFR Section 820.

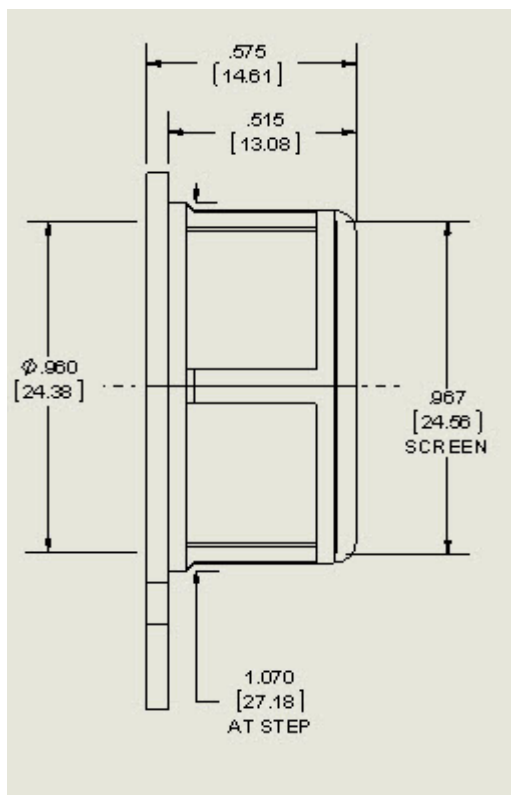
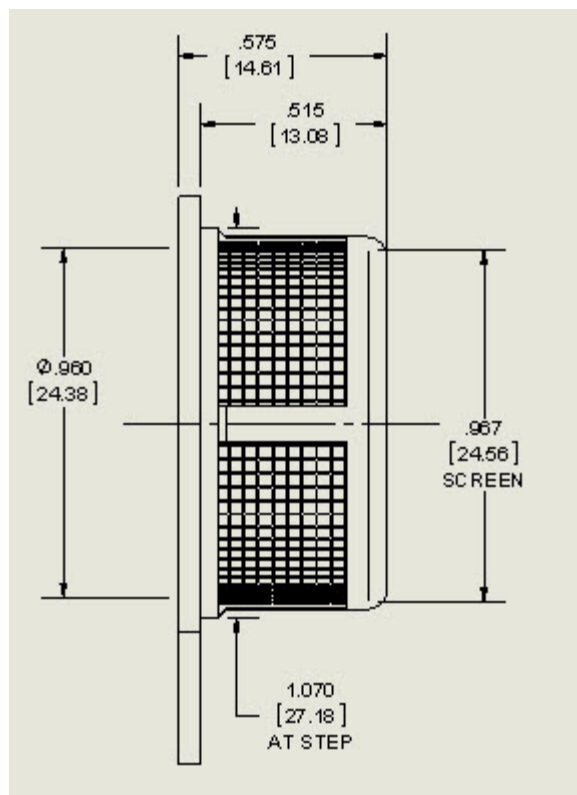
Warranty/Disclaimer: Unless otherwise specified, all products are for research use only. Not intended for use in diagnostic or therapeutic procedures.

**Material:** Polypropylene with a Nylon mesh

**Related Catalog Numbers:**

Cat. No.	Packout Description	Mesh Size/Color
352340 / 431750	1/bag, 50/case	40 µm/Blue
352350 / 431751	1/bag, 50/case	70 µm/White
352360 / 431752	1/bag, 50/case	100 µm/Yellow

**Dimensions are "Typical" in mm (inches)**



Warranty/Disclaimer: Unless otherwise specified, all products are for research use only. Not intended for use in diagnostic or therapeutic procedures.